




- Elongated ADA  flushometer bowl.
- Sani-Glazed™ trapway gives years of sanitary, trouble free use.
- Designed for institutional and commercial applications.
- 1-1/2" top spud provided.
- Seat and Flushometer valve not included.
- Available in white.
- Certified by IAPMO to meet or exceed the EPA WaterSense standards.



With Western the water savings are significant and maintenance is minimal.

**Our customers tell us it's
"The Best Flushing Toilet in America!"**

For more information please contact us toll-free:

877-WPWORKS (979-6757)

US Sales and Service

Phone 562.229.0910 • Fax 562.229.0930

www.westernpottery.com • Email: info@westernpottery.com

14405 Best Avenue • Norwalk, California 90650

B472FV

PHYSICAL PROPERTIES

Model: B472FV

Water Surface: 9" x 10-3/4"

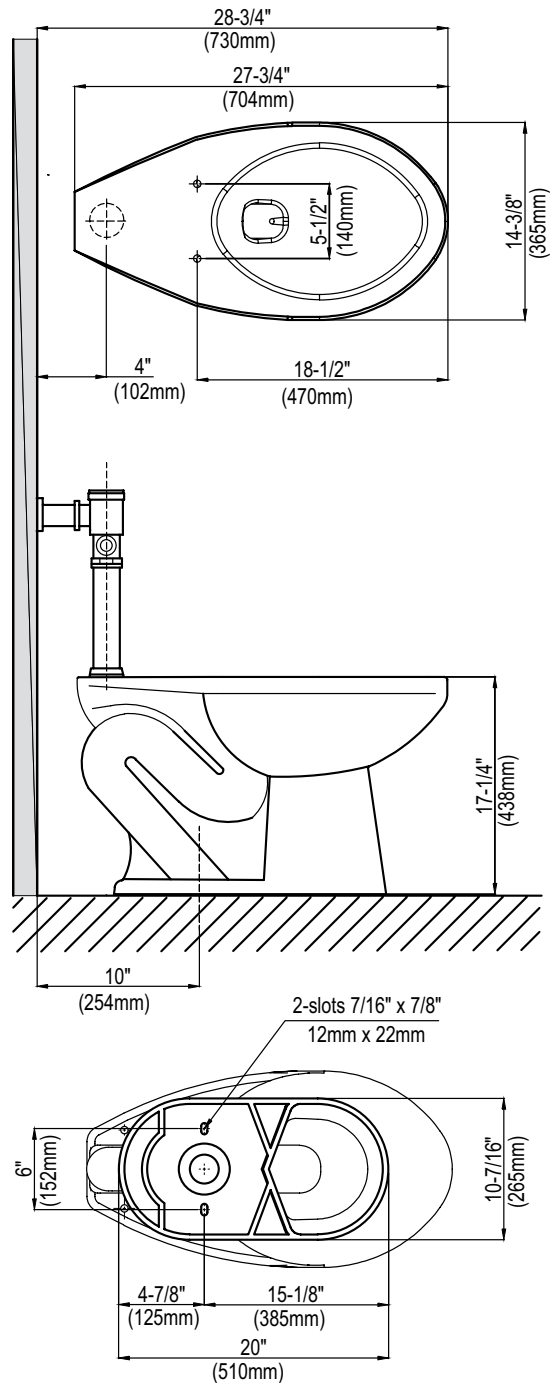
Trapway: 2" (50mm)

Water Consumption: 1.28 gpf (4.8 Lpf)

Shipping Weight: 55 lbs bowl

Shipping Cube: 5.21 ft bowl

Rough-in: 10" (254mm)



IMPORTANT: Dimensions are nominal and may vary within the range of tolerances established by ASME A112.19.2 / CSA B45. 1. These measurements are subject to change without notice.