





- Siphon Urinal.
- Meets ADA  requirements for accessibility.
- Integral trap.
- Rear drain.
- Mounting wall bracket included.
- 3/4" top spud included.
- Available in white.
- All Western products are IAPMO tested and meet or exceed  standards.

For more information please contact us toll-free:

877-WPWORKS (979-6757)

US Sales and Service

Phone 562.229.0910 • Fax 562.229.0930

www.westernpottery.com • Email: info@westernpottery.com

14405 Best Avenue • Norwalk, California 90650

U482

PHYSICAL PROPERTIES

Model: **U482**
Siphon Urinal

Water Consumption: **0.5 gpf or 1.0 gpf**

Height: **20-5/8" (516mm)**

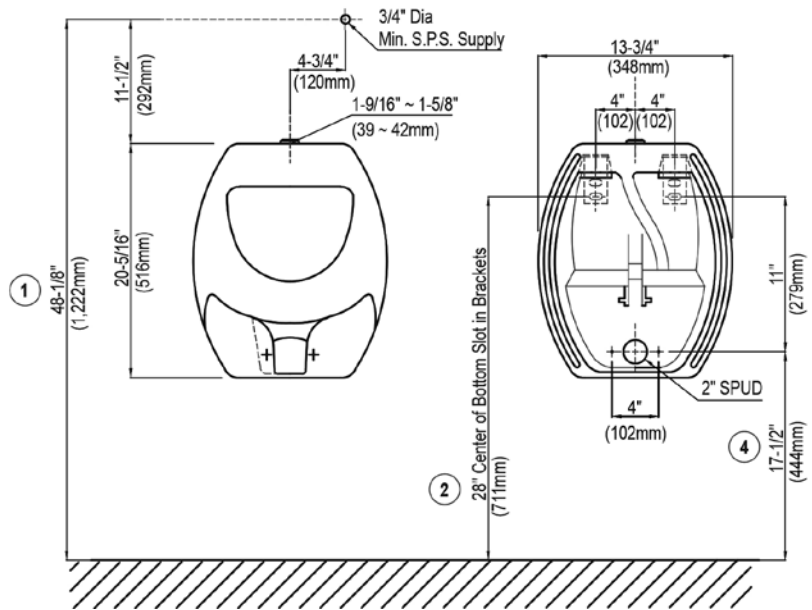
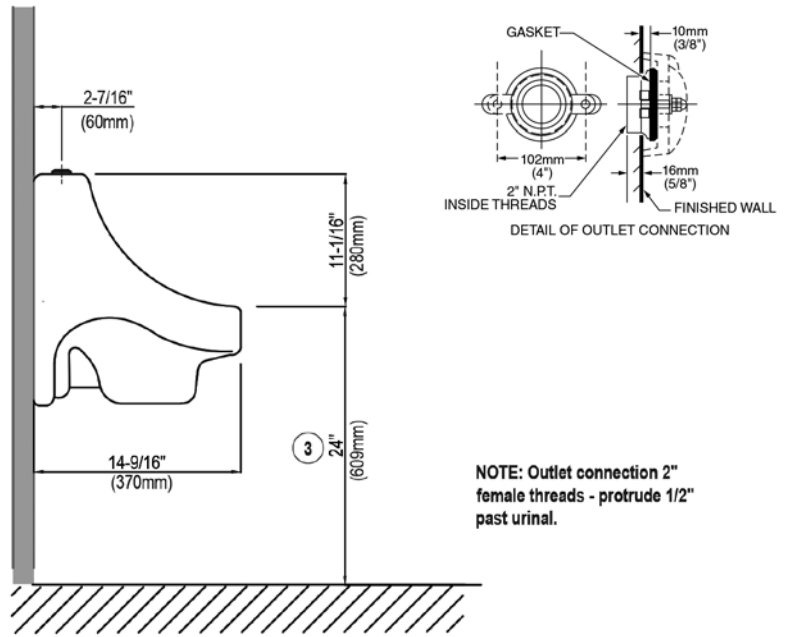
Width: **13-3/4" (348mm)**

Depth: **14-9/16" (370mm)**

Mounting Hardware: **Wall bracket included**

Shipping Weight: **35 lbs**

Shipping Cube: **2.00 ft**



NOTE: This product is ADA compliant when installed to the ADA specification. Please refer to code.

IMPORTANT: Dimensions are nominal and may vary within the range of tolerances established by ASME A112.19.2 / CSA B45.1. These measurements are subject to change without notice.

